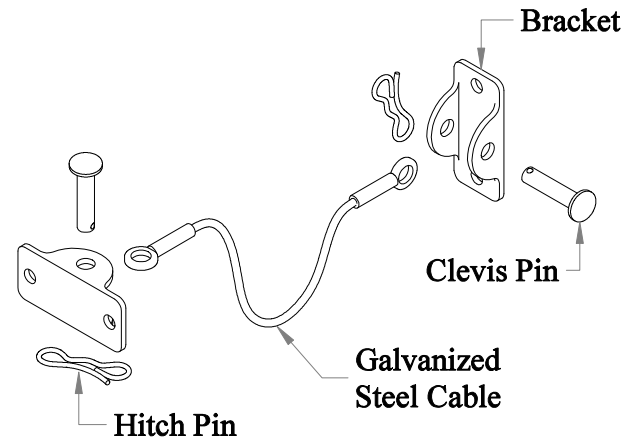
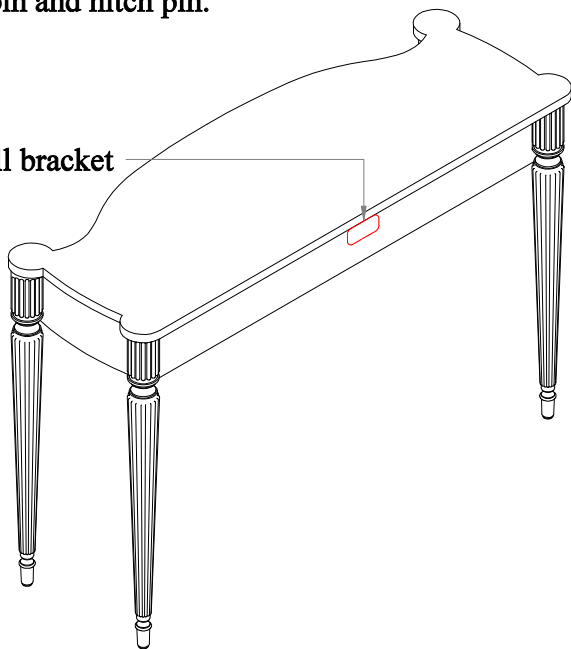


ANTI TIP KIT INSTALLATION INSTRUCTION

1. Attach brackets to the top back frame of the furniture and secure with short-screws.
2. Determine the final position of the furniture piece and mark locations on the wall approximately 2" below the brackets mounted at the back of the furniture.
3. Drill a hole into the wall stud. If wall stud is not available, drill a hole into the solid wall and insert plastic anchor and gently tap the anchor until the flange is flush in the wall surface.
4. Attach the second set of brackets by inserting the long-screws through the bracket holes and into the wall.
5. Align the brackets at the back of furniture with the brackets in the wall.
6. Attach the Galvanized Steel Cable to the bracket and secure with clevis pin and hitch pin.



Position for install bracket



Short Wood-Screw

Long Wood-Screw

Bracket attach to Furniture

Bracket attach to Wall Stud

