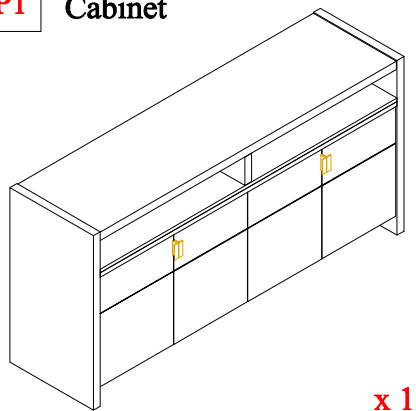
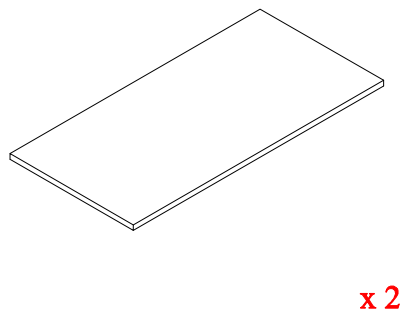


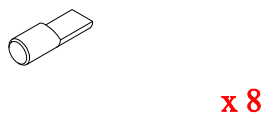
**P1 Cabinet**



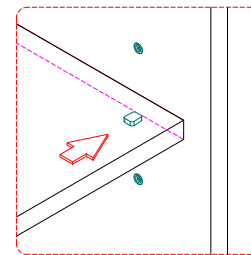
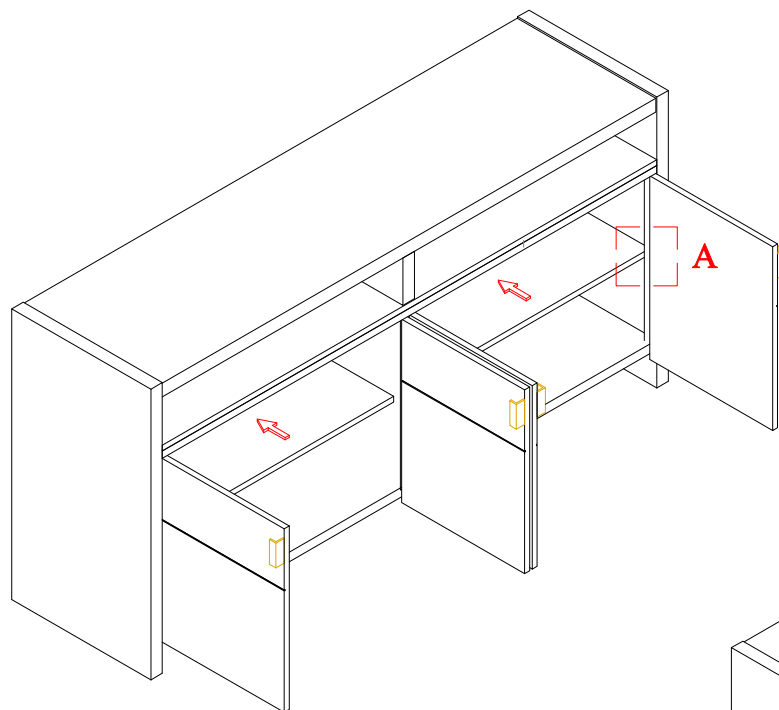
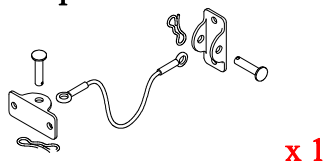
**P2 Shelf Panel**



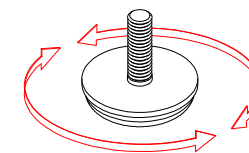
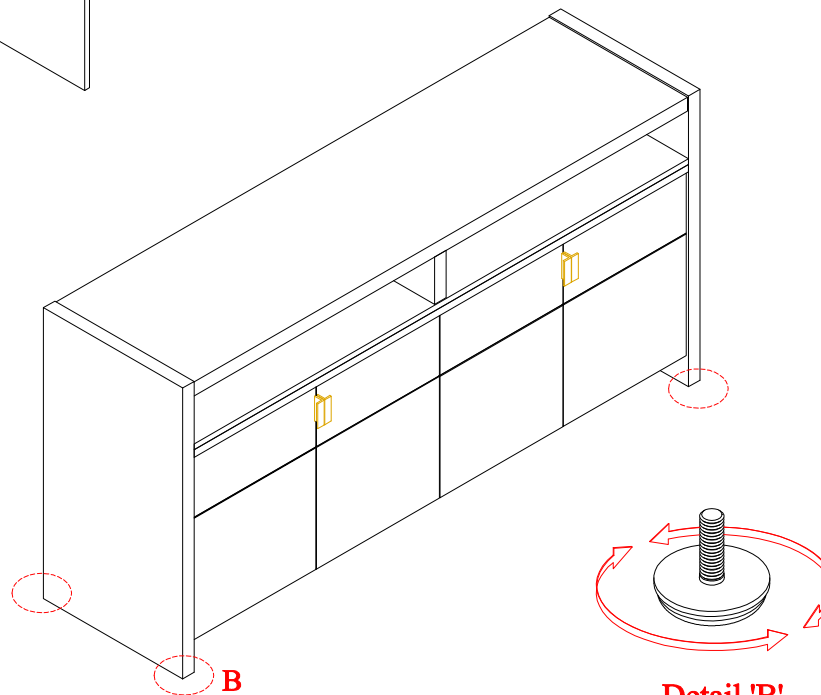
**01 Shelf Holder**



**02 Anti-tip Kit**



**Detail 'A'**



**Detail 'B'**

**INSTRUCTIONS :**

1. Open the middle doors of cabinet and install the shelf holders then place the shelf panel on the shelf holders. **Refer detail 'A'**.
2. Item is ready to use. (Adjust glider for the cabinet leveling if necessary, **Refer detail 'B'**.)

## ANTI TIP KIT INSTALLATION INSTRUCTION

1. Attach brackets to the top back frame of the furniture and secure with short-screws.
2. Determine the final position of the furniture piece and mark locations on the wall approximately 2" below the brackets mounted at the back of the furniture.
3. Drill a hole into the wall stud. If wall stud is not available, drill a hole into the solid wall and insert plastic anchor and gently tap the anchor until the flange is flush in the wall surface.
4. Attach the second set of brackets by inserting the long-screws through the bracket holes and into the wall.
5. Align the brackets at the back of furniture with the brackets in the wall.
6. Attach the Galvanized Steel Cable to the bracket and secure with clevis pin and hitch pin.

