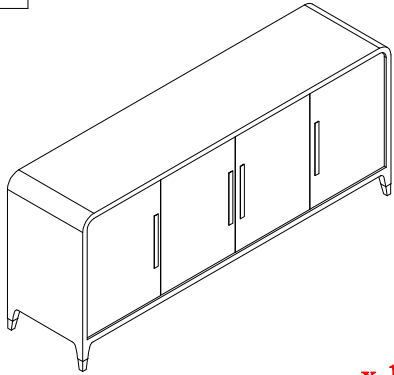
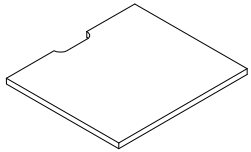


P1 Cabinet



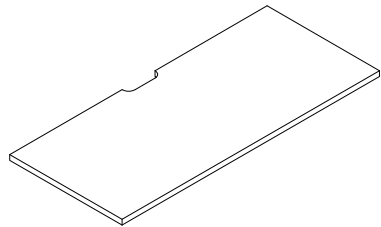
x 1

P2 Shelf Panel



x 1

P3 Shelf Panel

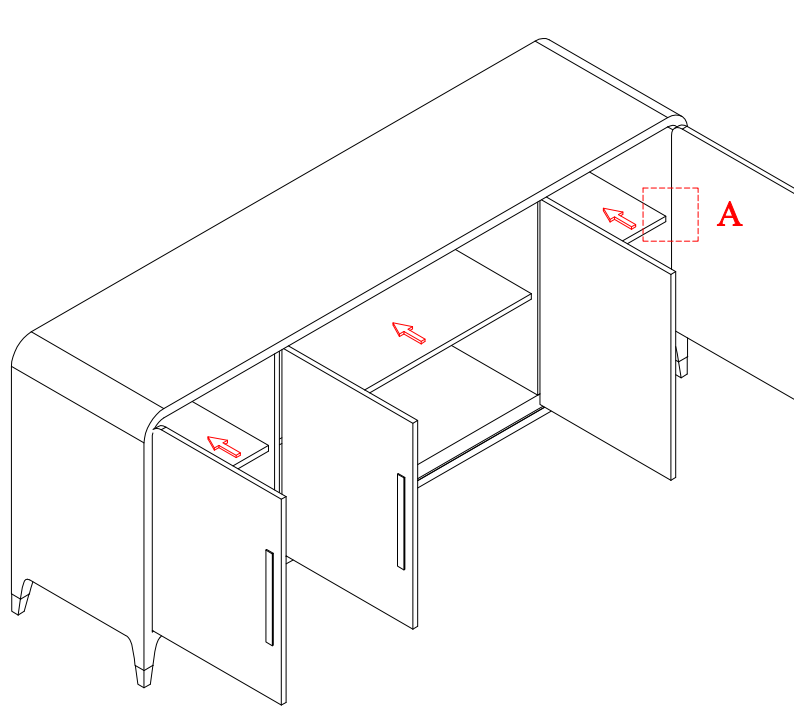


x 2

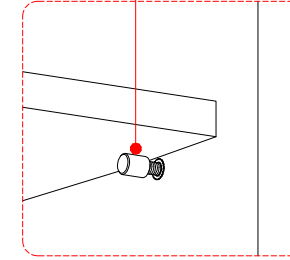
01 Shelf Holder



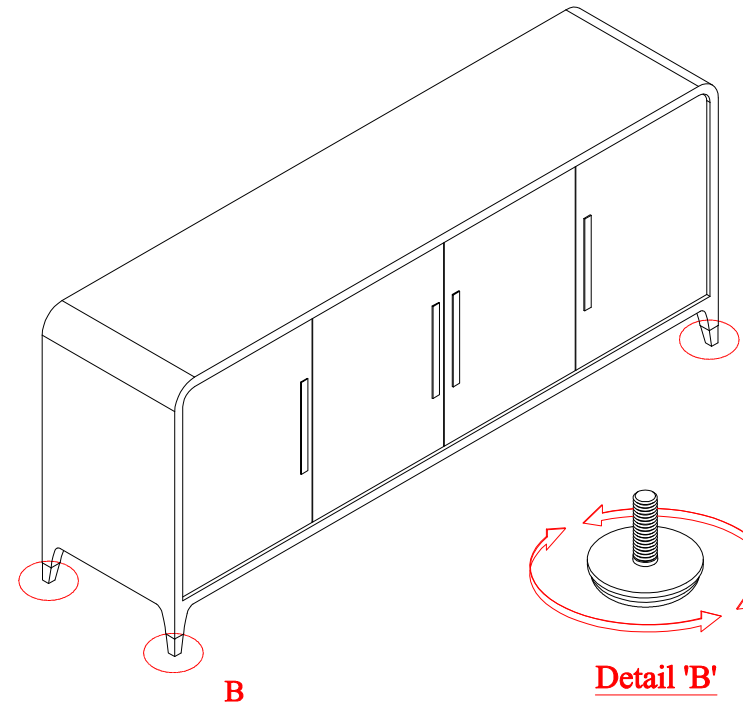
x 8



Shelf holder



Detail 'A'



B

Detail 'B'